

MVP12-Metal 8xM12 DI16 IOL

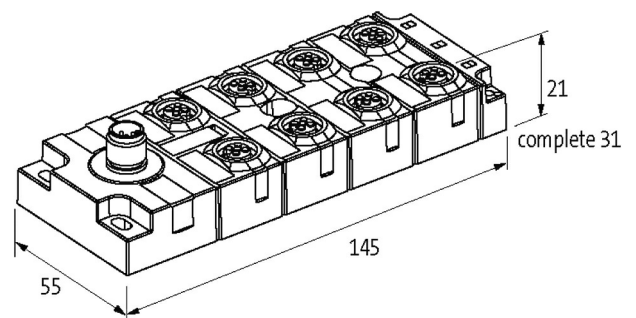
IO-Link Version 1.1

Compact module

IO-Link V1.1

Connection cables are in the online shop under "Connection Technology".

Housing fully potted.

Illustration

Product may differ from Image

Approvals**More Info****Input**

Sensor supply US	24 V DC (EN 61131-2), max. 100 mA (M12 female), short-circuit and overload protected
Type	PNP (EN 61131-2) Type 3
Input filter	1 ms
Input delay time	max. 8 ms (incl. IO-Link cycle time)

Internal communication

LED display	US: sensor supply (green: OK); IOL: (green: OK)
Current consumption	max. 35 mA

General data

Protection	IP67
Mounting method	4 hole screw mounting
Temperature range	-25...+70 °C (storage temperature -40...+70 °C)
Dimensions H×W×D	145×55×32 mm
IO-Link	
IO-Link	Device
Operating modes	COM2 (38.4 kbps)
Transfer parameters	2 Byte (Inputs), 1 Byte (Diagnostic)
Port Class	A
Specification	IO-Link V1.1
Cycle time	2.3 ms
Parameterization	
PIN 2	Input
PIN 4	Input
Diagnostic	
Communication status	via LED
Diagnostic via LED	per module and channel
Diagnostic via BUS	per module and channel
Monitoring - under voltage	yes
Monitoring - no voltage	yes
Short-circuit and overload	yes, single channel shutoff
Commercial data	
country of origin	DE
customs tariff number	85176200
EAN	4048879740104
eClass	27242604
Packaging unit	1